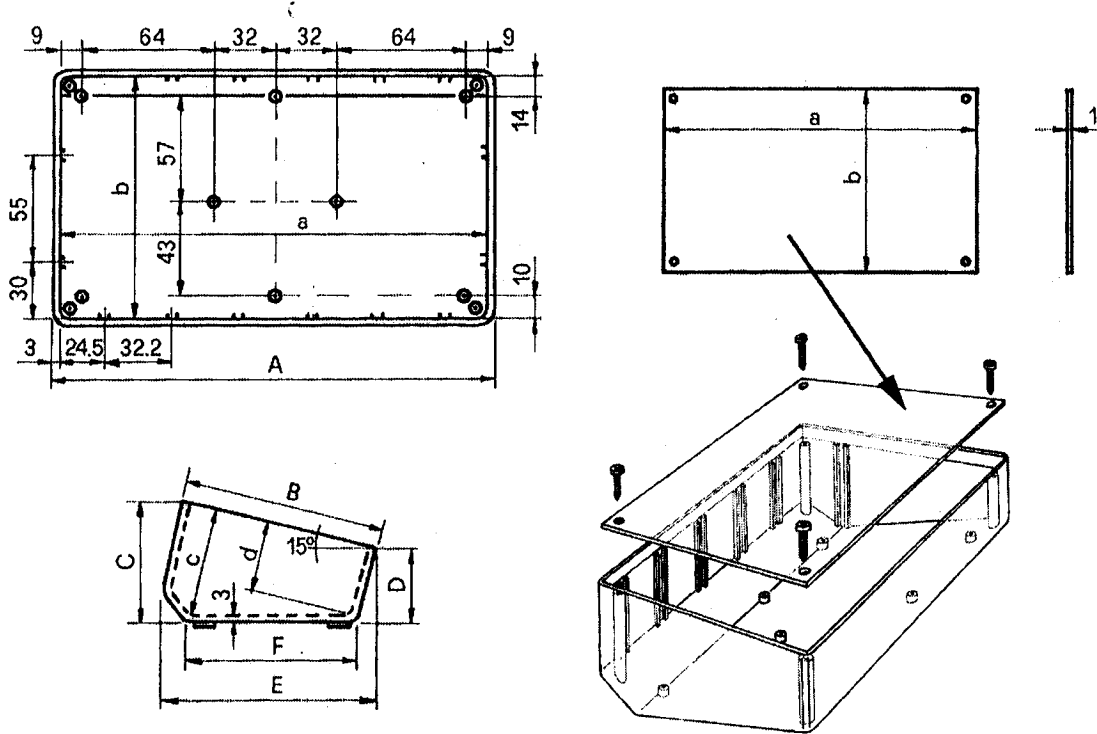


Sloping front cases

Technical Drawing



Specification

Body Material : A.B.S. (Acrylonitrile-Butadiene-Styrene)
 Lid Material : Anodised Aluminium

| Dimensions | | | | | | | | | | Weight (g) |
|------------|-----|----|------|-----|----------|-----|-----|----|------|---------------|
| External | | | | | Internal | | | | | |
| A | B | C | D | E | F | a | b | c | d | |
| 215 | 130 | 78 | 47.5 | 140 | 118 | 209 | 124 | 74 | 46.5 | 281 |

| | Units | Standards | ABS |
|--------------------------------|---------------------|----------------------------------|------------------|
| Mechanical Properties | | | |
| Impact Resistance | KJ/m ² | ISO 179 / DIN 53453 | 85 |
| Notch Resistance | KJ/m ² | ISO 179 / DIN 53453 | 11 |
| Ball indentation hardness,H.30 | N/mm ² | DIN 53456 | 100 |
| Modulus of elasticity | KN/mm ² | ISO 178 / DIN 53457 | 2.6 |
| 3.5% bending stress | N/mm ² | ISO 178 / DIN 53452 | 73 |
| Elongation at tear | % | DIN 53455 | 25 |
| Thermal Properties | | | |
| Heat distortion temperature | °C | DIN 53458 / ISO 75-A / DIN 53461 | 90 |
| Vicat softening temperature | °C | ISO 306 / DIN 53460 | 103 |
| Cold distortion temperature | °C | | -40 |
| UL combustibility test | Fire classification | UL-Subject 94 | HB |
| Thermal conductivity | W(K • M) | DIN 52612 | 0.19 |
| Electrical Properties | | | |
| Tracking resistance KC/CTI | Stage | IEC 112 / DIN 53480 | 600 |
| Specific volume resistivity | Ohm • cm | DIN53482 / VDE0303 | 10 ¹⁵ |
| Dielectric Strength | kV/mm | IEC 243 / DIN 53481 | 26 |
| Other Properties | | | |
| Water absorption | % | DIN 53472 / DIN 53495 | 0.3 |