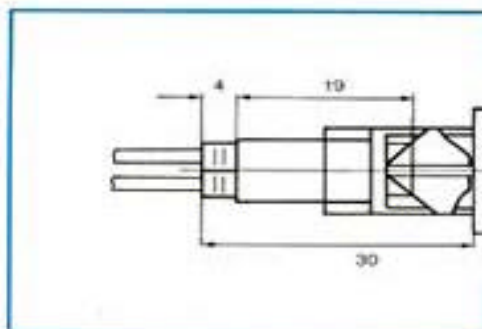


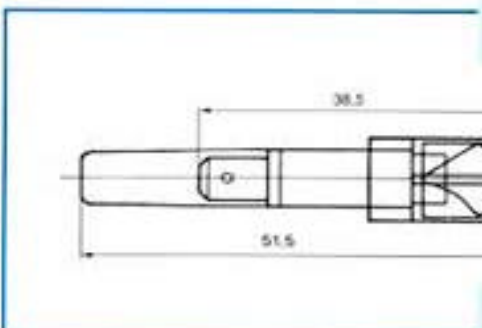
Cylindrical Light Indicators | Panel Hole 12 mm dia.
 Self-locking Units
 Equivalent to NI 12 Family



Unità base
 Basic unit
 Basiseinheit
 Unité de base
 Unidad base

Lente
 Lens
 Linse
 Lentille
 Lentilla

TB/012/SD

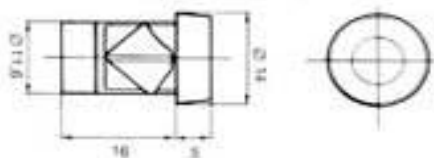
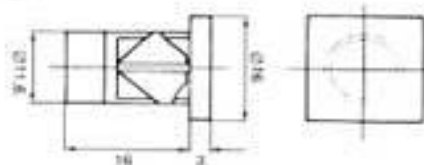
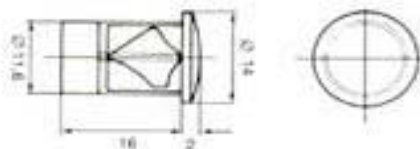
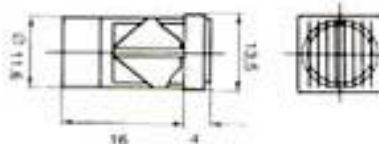
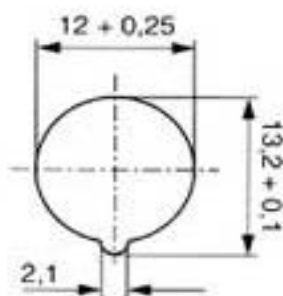
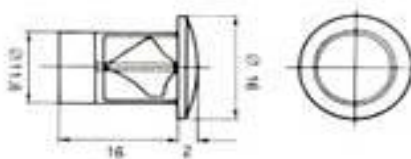


Unità base
 Basic unit
 Basiseinheit
 Unité de base
 Unidad base

Lente
 Lens
 Linse
 Lentille
 Lentilla

TBF/012/SD



SD 1**SD 2****SD 3****SD 4****SD 5**

Foro - Hole - Schalttafel-Bohrung - Trou - Orificio \varnothing 12 mm
+ 0,25 - - 0

Spessore - Panel thickness - Stärke der Schalttafel - Épaisseur
- Espesor 0,5/2,5 mm

Body and lens:

Tension:

Wire ends:

Lens colour:

Variants:

- In polycarbonate
 - Incandescence: 6/12/24 V
 - Neon and fluorescence: 110/250/380 V
 - TB/010/SD: PVC sheath wire cross, section 0,50 mm², wires length 220 mm, length of stripped wires end 6 mm
 - TBF/010/SD: male faston 6,3x0,8 mm
 - Neon: red, orange, transparent, yellow-green (light green) • Fluorescent: green • Incandescence: red, orange, transparent, yellow-green (light green), green, blue
- Cables: length to customer's requirements - with camped connectors - silicone insulated - tinned ends
Removable lens
- Anti-luminescence resistor