



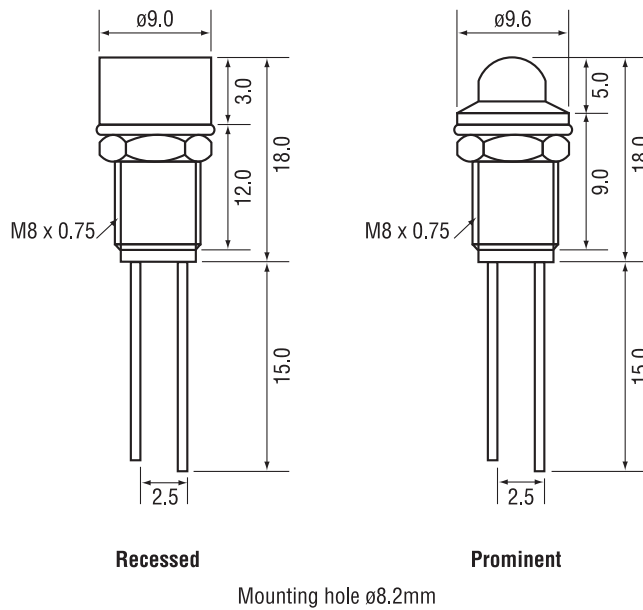
12V 5mm LED Indicators

Features:

A range of 5mm LEDs incorporating a series resistor to operate at 12Vdc housed in high quality bright satin chromium-plated brass bezels to form high quality panel indicators at modest cost. Available in either recessed or prominent styles. Bezel diameter 9.5mm. Thread M8 x 0.75. Mounting hole 8.2mm. Short lead is cathode.



Dimensions (mm):



Type	Bezel colour	LED Colour	LED component
Recessed	Chrome	Red	42-0800
		Green	42-0805
Prominent	Chrome	Red	42-0820
		Green	42-0825
		Yellow	42-0830