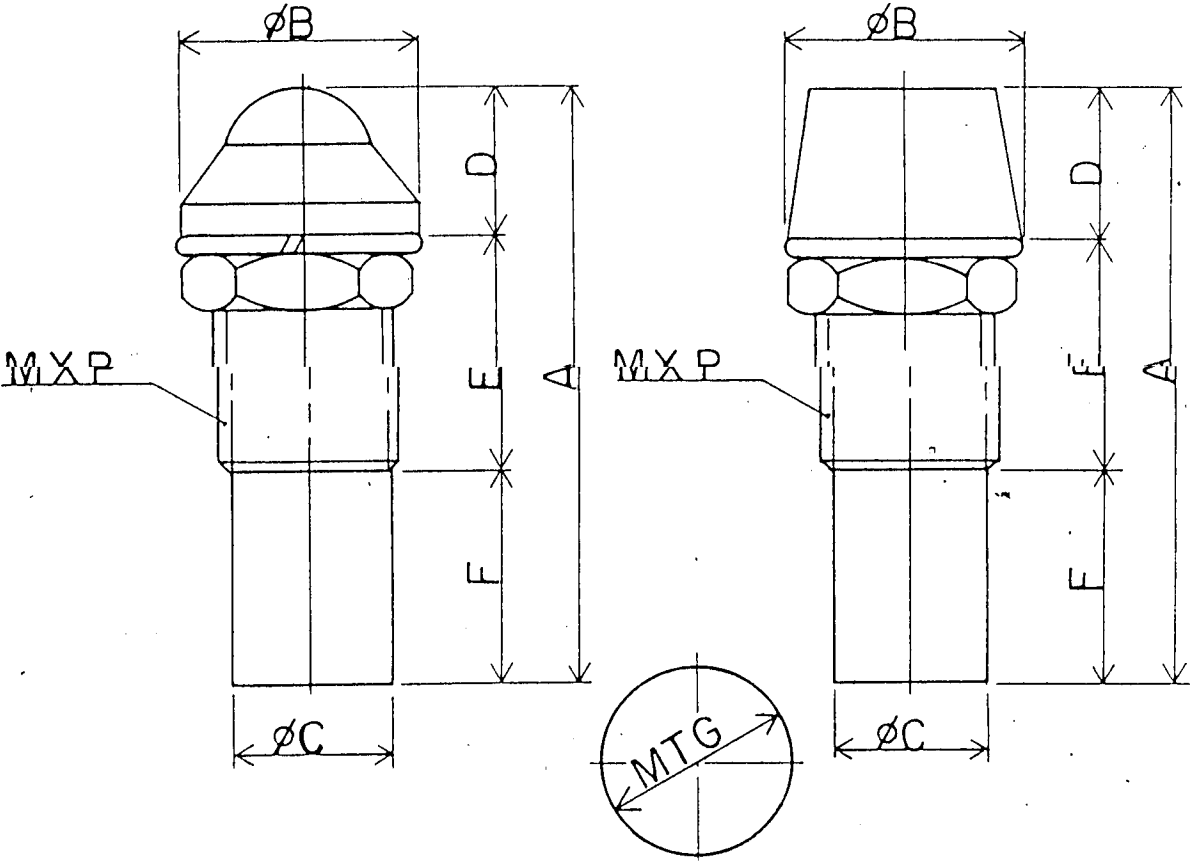


Insulation Resistance : **DC 500V 100M Min.**
Dielectric Strength : **AC 500V 1 minute**



15.0	10.0	7.0	5.0	7.5	2.5	8X0.75	8.2
------	------	-----	-----	-----	-----	--------	-----